

# **MICROKLEAN<sup>®</sup>**

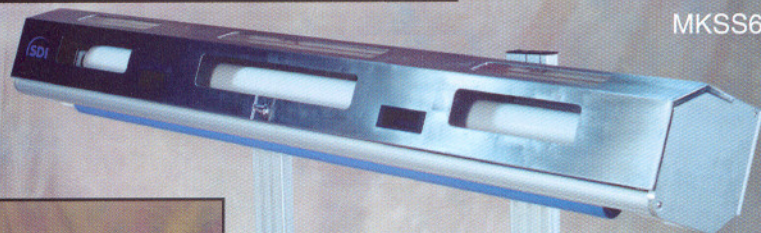
## **WIDE WEB CLEANERS**

These Tacky Roller Cleaning Machines provides an unequaled system for continuous contact cleaning.

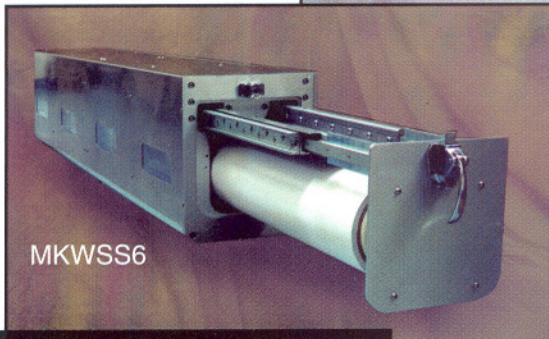
Specially formulated polymer rollers lift and transfer contaminants from your product surface to adhesive rolls.

No special chemicals, wipes, or handling needed.

### **WIDE WEB FORMATS**

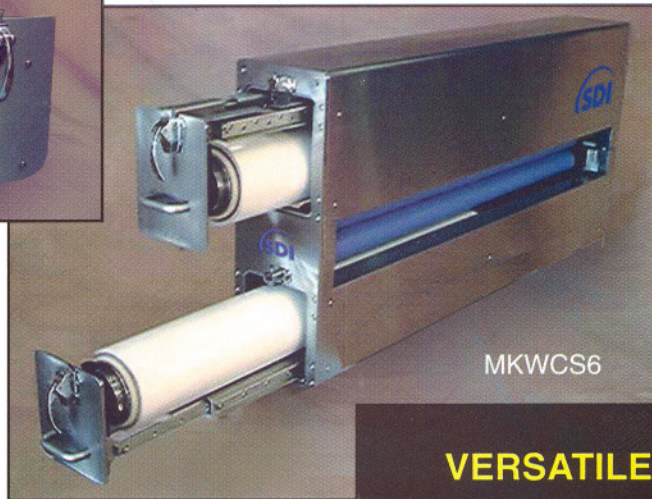


MKSS6



MKWSS6

### **SINGLE OR DOUBLE SIDED CLEANING**



MKWCS6

### **VERSATILE MOUNTING**

### **IDEAL APPLICATIONS**

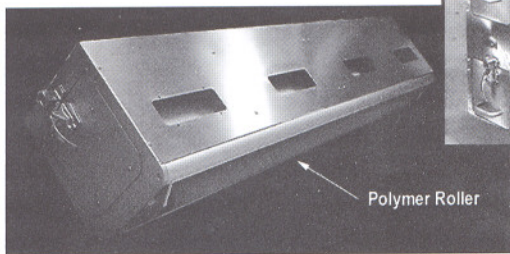
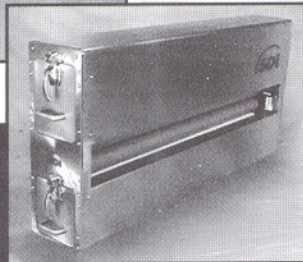
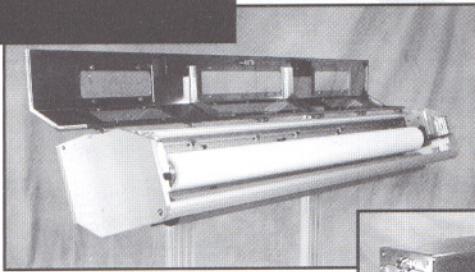
- Cleaning flexible material in reel-to-reel applications
- In-line processes in converting, coating, printing, etc.
- Films, coating lines, holographics, flexographics, packaging, etc.
- For Web Widths over 45 inches.

At the most critical stages in your process (e.g. just prior to printing, etc.), these cleaners will both clean and neutralize the charge on your substrates.





# MKSS6 & WKWCS6



Polymer Roller

## FEATURES

- ♦ High level cleaning efficiency
- ♦ Speeds up to 1000 FPM
- ♦ Adjustable preload to assure conformity to the cleaned surface
- ♦ Versatile Mounting
- ♦ Anti-Static

## REQUIREMENTS

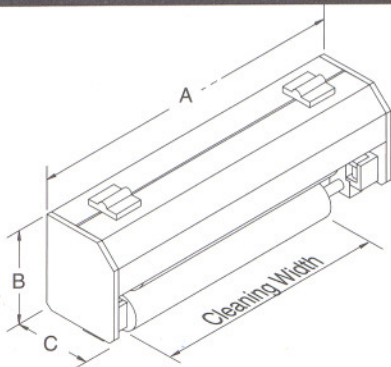
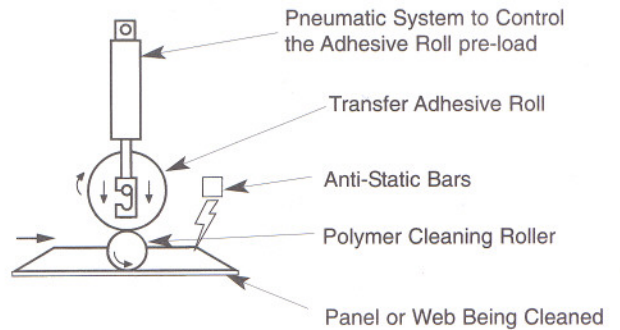
- ♦ 110VAC or 220VAC
- ♦ Air Supply for (60 P.S.I.)

## OPTIONS

- ♦ Linear material counter
- ♦ Programmable alarm, paper auto-release
- ♦ Non-silicone cleaning system
- ♦ Speed match for adhesive rolls

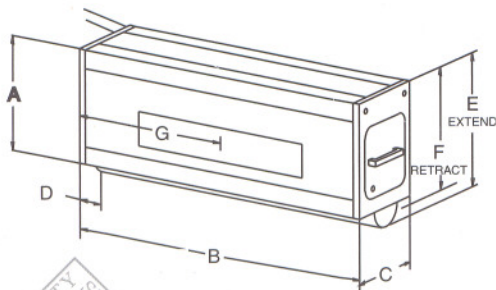
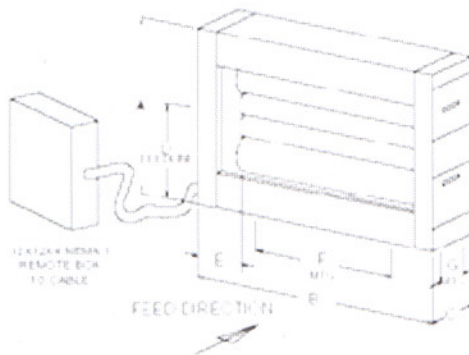
## THE CLEANING PROCESS

Special polymer rollers lift the contaminate from the panel and transfers them to the adhesive roll. When the adhesive roll becomes laden with contaminate, simply strip the outer layer exposing a new clean surface of adhesive. Anti-static bars neutralize product, preventing re-contamination.



Cleaning Width	Wide Web Format
	49" (1245 mm) and above
A	Cleaning Width + 13.5" (343 mm)
B	10" (254 mm)
C	11.3" (287 mm)

DIM	CLEANING WIDTH (CW)
A	24.5 (876 mm)
B	CW + 9.88" (CW + 251 mm)
C	11" (279 mm)
D	17.1" (434 mm)
E	5" (127 mm)
F	CW-18.2" (CW - 462 mm)
G*	6.38" (162 mm)



DIM	CLEANING WIDTH (CW)
A	16.06" (408 mm)
B	CW + 9.5" (CW + 241 mm)
C	13.8" (350 mm)
D	4.75" (121 mm)
E	17" (432 mm)
F	18" (457 mm)
G*	CW/2 + 4.75" (CW - 121 mm)

\* Custom sizes available



INFORMATION CONTAINED IN THIS DOCUMENT  
SUBJECT TO CHANGE AT SDI DISCRETION



21 Morgan  
Irvine, CA 92618  
U.S.A.  
Phone (949) 583-1001  
Fax (949) 583-7007  
www.sdionline.com